

X47

Universal Relay Pack

The X47 Universal Relay Pack is a Honeywell INNCOM Integrated Room Automation System device designed for guestroom controls.

OVERVIEW

X47 provides five relay outputs used to switch a variety of loads, including fan coil units (FCU) and light-duty general loads. The X47 can integrate with and receive data from multiple points throughout the system using low-voltage wired communication (S5bus) or radio frequency (RF) communication (when connected to a PC502). The X47 comes in 24VAC (low-power) or 100–277VAC (line-power) versions.

X47 FCU Controller: In combination with the E-Series or MODEVA Smart Digital Thermostats, the X47 FCU controller is a feature-rich, cost-saving energy management tool. Communication using RF adds to its installation versatility.

- Five power relays and a local logic controller card combined in one assembly
- Blade connectors for 110VAC–2277VAC option; 10-pin Molex connector for 24VAC option
- Low voltage connection headers that provide 12VDC output and low-voltage control signals
- Four screw openings in the bottom enclosure for mounting in a NEMA enclosure
- One diagnostic LED, which will blink on and off to indicate activity. It also signals during startup and the commissioning process



X47 Universal relay Pack

FEATURES & BENEFITS



Controls a full range of FCU systems, complex light-duty lighting circuits, and other guestroom applications from 24–277VAC



Supports S5bus, and RF communications



Enclose to protect sensitive circuitry
Installs inside FCU/HVAC enclosures



May be integrated with the INNCOM Room Automation System over the Deep Mesh Network with INNCOM's INNcontrol 3 software



Connects to remote thermistor (04-1096, 04-1096.MOD 04-1095) for external temperature sensing (+/- 1% temperature accuracy at 25°C)

X47 Universal Relay Pack

WIRING SPECIFICATIONS

Figure 1 shows the X47 line-voltage and 24VAC connectors and Figure 2 shows the headers

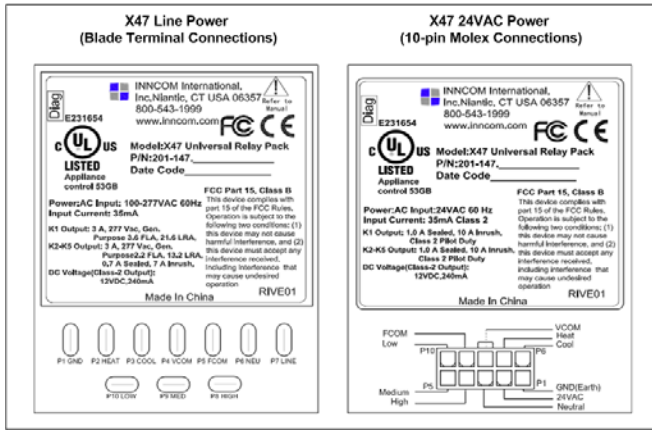


Figure 1 Connectors

Line-Voltage Connections: The phase, neutral, earth, and relay output connections are defined on the product label.

Low-Voltage Power/Communications Connection: The X47 can provide 12VDC 240mA output class-2 power and S5bus for INNCOM devices.

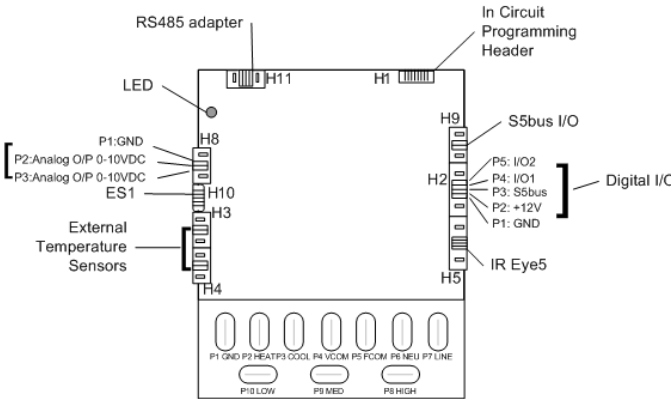


Figure 2 X47 headers

SPECIFICATIONS

DIMENSIONS	2 3/4" W x 3 1/2" H (excluding screw tabs) x 1 1/2" D (at deepest part) 70 mm W x 88 mm H x 38 mm D
POWER REQUIREMENTS	201-147-A3L6-RXGR Class-2 Output Voltage/Power: 12VDC, 240mA 201-B1L6-RXGR Class-2 Output Voltage/Power: 12VDC, 200mA
PERAMETER MEMORY	Non-volatile
TEMPERATURE RANGE	Operating Storage 32 to 104 degrees F (0 to 40 degrees C) -40 to 158 degrees F (-40 to 70 degrees C) 15 to 99 percent RH
MOUNTING	4 hole mounting 6/32" bit, 1/2" screw
APPROVALS	UL, FCC, IC, CE MARK, CCC

For more information

www.inncom.com

Honeywell

277 West Main Street
Niantic, CT 06357
+1.860.739.4468

X47Data | RevC | 03/17
© 2017 Honeywell International Inc.

Honeywell
THE POWER OF CONNECTED